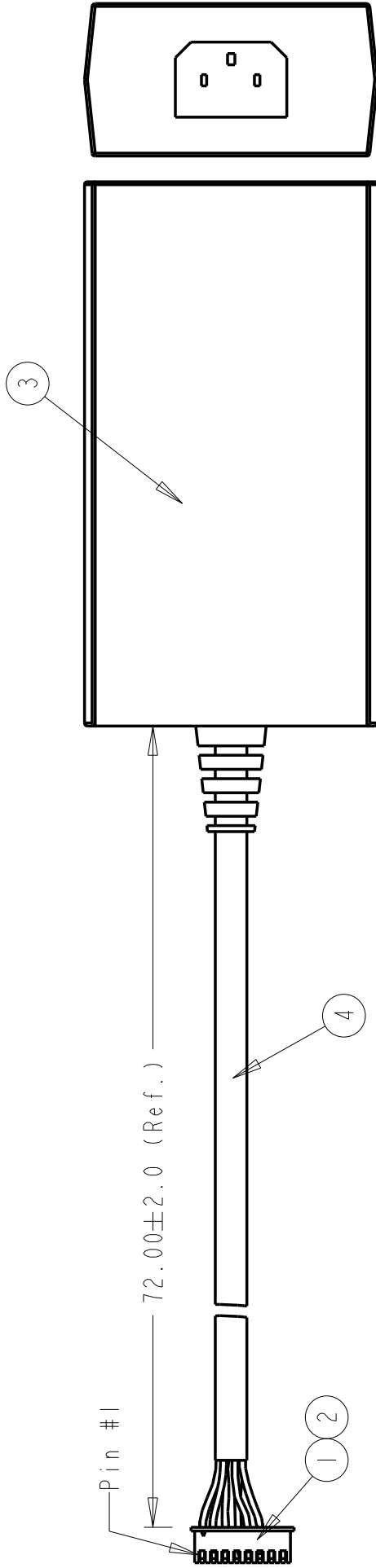


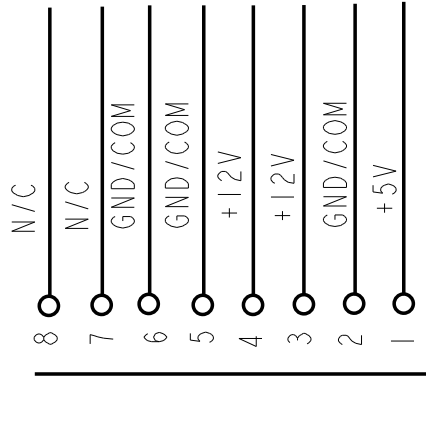
Note:

- 1. For power supply: Input:
 Input: 90~264 VAC/47~63 Hz (<1.0 A RMS @90 VAC input);
 Output: +5VDC@0~1.5A; +12VDC@0~1.5A;
 Size: 4.32"x2.4"x1.3"(LxWxH);
 Mode: Regulated Switch Dual Power Supply w/ UL, CE Certified.

- 2. For NTC's customer, an AC cord is included when purchasing the part.



Wiring Diagram



JST XHP-8

Rel.	6/1/05	Created a new NTC P/N			
Rev	Date	Description	Req	Appd	

	UNIT	IN.	
	Unless otherwise noted: All linear tolerances are -1, +2%.		
	Noritake Technology Center 2365 Clearbrook Drive Arlington Heights, IL 60005 PH (847)364-4724 FX(847)364-4815 Email: NTC.ELE@noritake.com		
DRN	SX	Date	06/01/05
Power Supply with 8 pin JST Connector		P/N:	NTC-05-0008
CHK'D		Date	
APP'D		Date	
		Project	Filename ntc-05-0008
		DRN No.	SHT OF