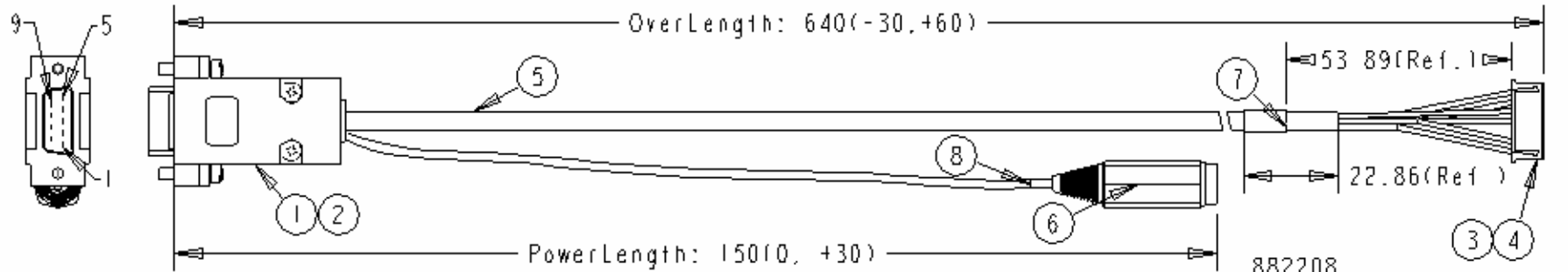
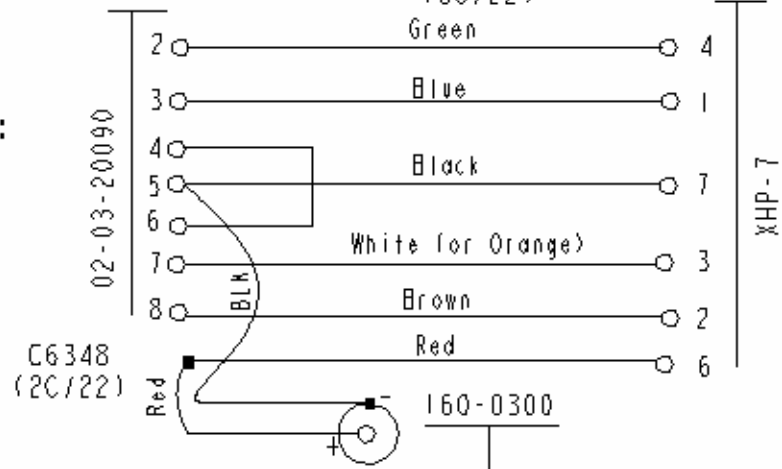


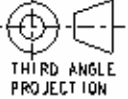
Note:

1. Use AWG24 for all wire (don't use twisted pair)
2. Use any color for jumper



WIRING:



REVISIONS		 THIRD ANGLE PROJECTION	UNIT	mm	CAD FILE NO.	ntc-04-0007	R232 Cable with Power for Model 3000			
			UNLESS OTHERWISE NOTED, ALL LINEAR TOLERANCES ARE -1, +2%	Noritake Co., Inc. Noritake Technology Center		PART NO.	NTC-04-0007			
						BRN	SX	DATE	8/29/03	
	PAGE				CHK	GC	DATE			